



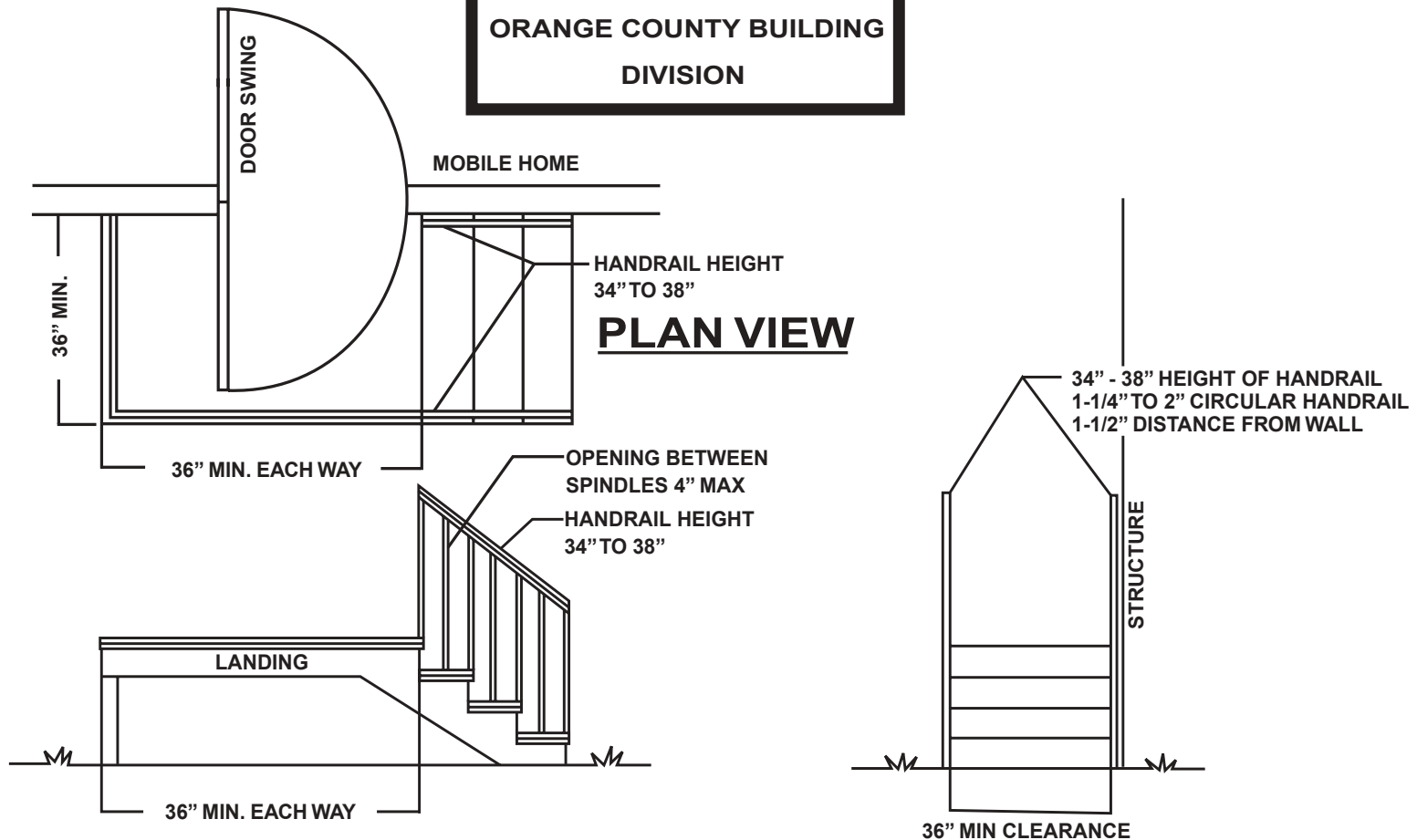
## **REQUIREMENTS FOR MOBILE HOME SETUP**

- SITE PLAN, SURVEY APPROVED BY ZONING (if in m/h park lot plan)
- HEALTH DEPARTMENT APPROVAL IF ON PRIVATE PROPERTY
- VERIFICATION OF EXISTING MOBILE HOME ON PROPERTY FOR REPLACEMENT TO WAIVE IMPACT FEES
- UTILITY LETTER OR CURRENT BILL FROM POWER COMPANY
- LICENSED MOBILE HOME CONTRACTOR OR P.O.A. FROM LICENSED M/H CONTRACTOR TO PULL PERMIT
- MOBILE HOME SUB PERMITS REQUIRED ARE: ELECTRICAL, PLUMBING, MECHANICAL/A.C.
- ABS PAD SIZES AND SOIL COMPACTION REQUIRED
- BLOCKING, PADS, AND ANCHORING SCHEDULE ATTACHED
- SCALED PIER FOUNDATION PLAN

## **INSPECTIONS**

- TIE-DOWN: Anchors, strapping
- FINAL: Stairs are in, ready for occupancy. Mobile homes not located in a mobile home park are required to have 2 parking spaces (9x20 each) prior to final.
- Final inspections must be done on all sub permits before final mobile home inspection is called in.

**ORANGE COUNTY BUILDING  
DIVISION**



**TYPICAL STAIR HANDRAIL DETAIL FOR  
FOUR OR MORE RISERS ABOVE FLOOR OR GRADE..**

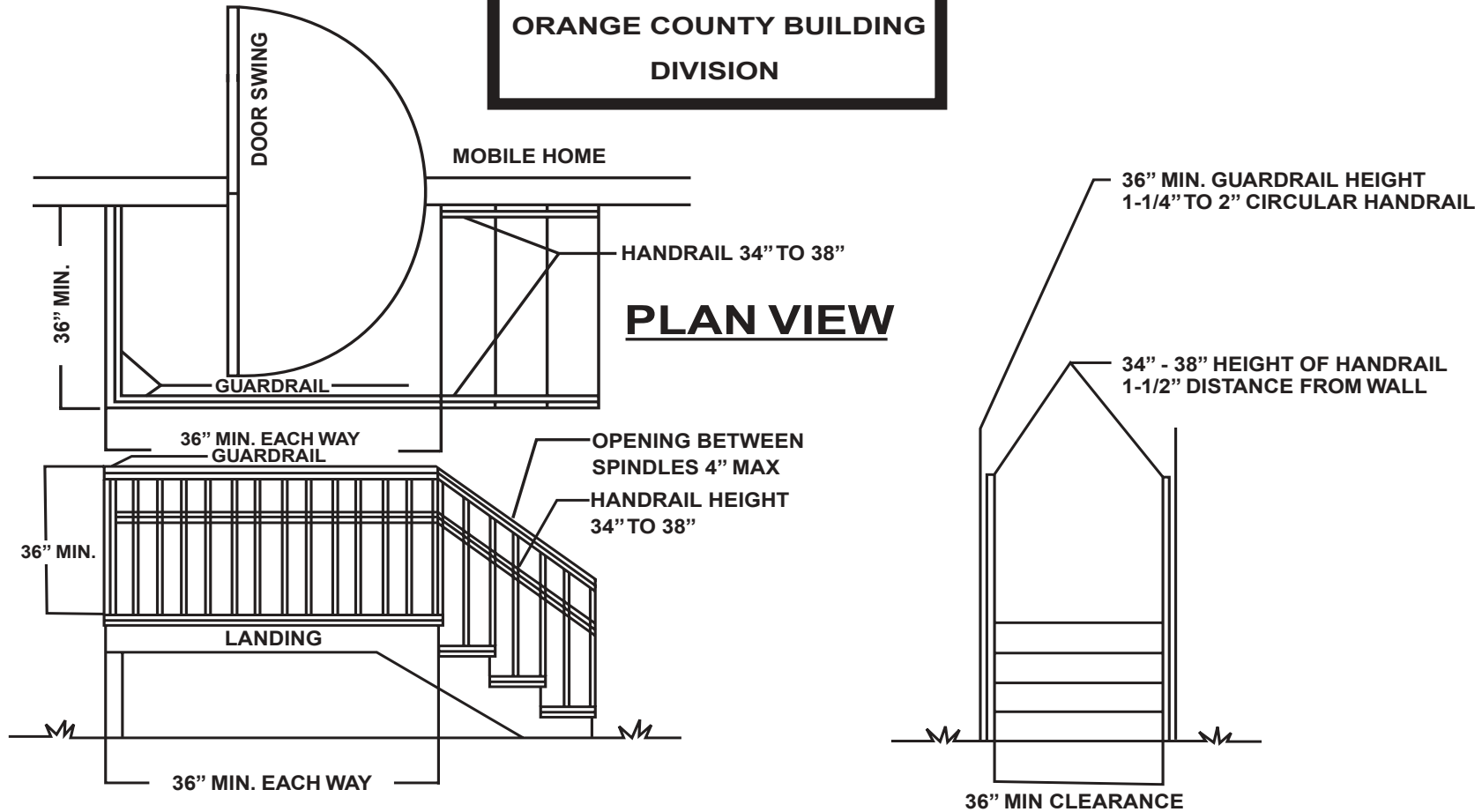
**REFERENCE FBC  
CH 10, 1006, 1007, 1015**

THE SUM OF TWO RISERS AND A TREAD  
IS NOT LESS THAN 24" AND NOT MORE THAN 25"

7-3/4" MAX. RISERS AND MIN. TREADS EXCLUSIVE, OF NOSING 9"

REV. 11/2002  
DRAWING NOT TO SCALE

**ORANGE COUNTY BUILDING  
DIVISION**



**TYPICAL STAIR GUARDRAIL DETAIL FOR  
MORE THAN 30" IN VERTICAL DISTANCE.**

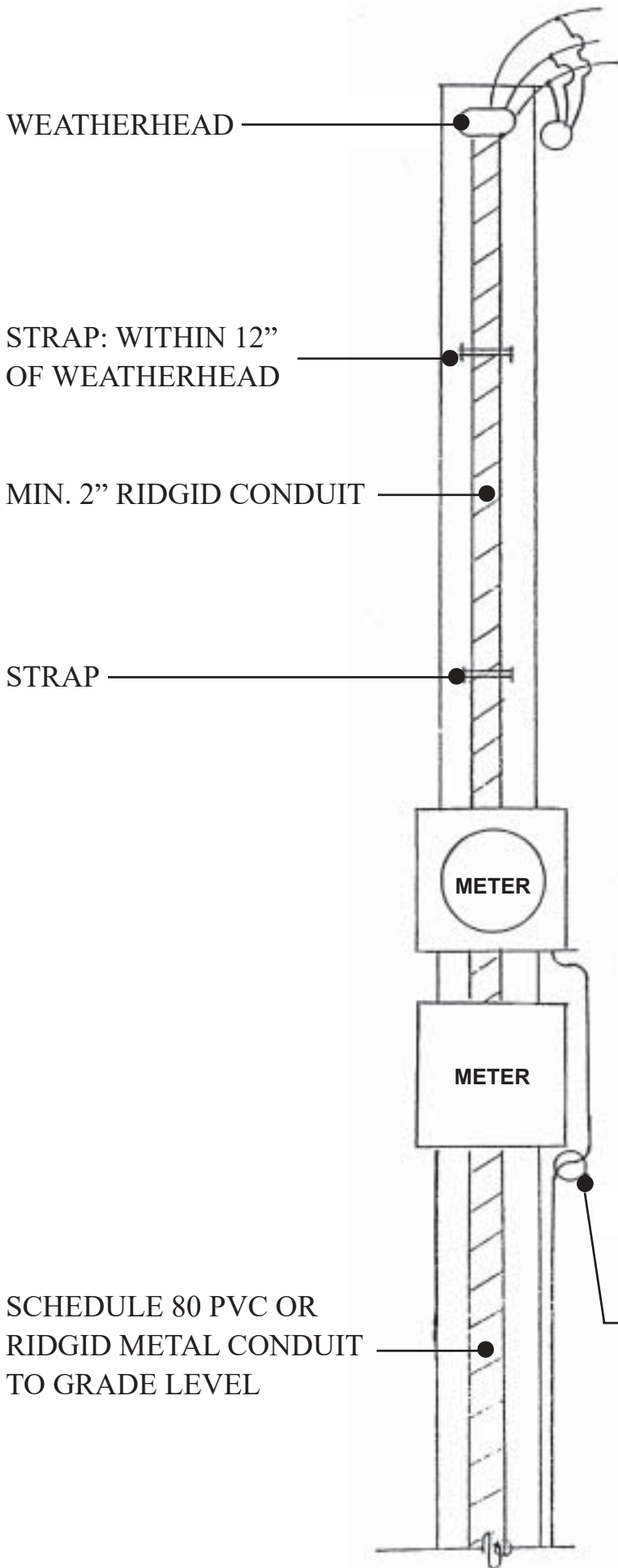
**REFERENCE FBC  
CH 10, 1006, 1007, 1015**

THE SUM OF TWO RISERS AND A TREAD  
IS NOT LESS THAN 24" AND NOT MORE THAN 25"

7-3/4" MAX. RISERS AND MIN. TREADS EXCLUSIVE, OF NOSING 9"

REV. 11/2002  
DRAWING NOT TO SCALE

# TRAILER WIRING



UL APPROVED LIGHTNING ARRESTOR WILL BE CONNECTED AT WEATHER HEAD OR IN MAIN DISCONNECT

POLE—MINIMUM 4 x 6 TREATED POLE AT LEAST 10' ABOVE GROUND. DRIP LOOP SHALL BE MINIMUM 10' ABOVE GROUND. POLE SHALL BE MINIMUM 4' IN GROUND.

FEED FROM MAIN TO TRAILER REQUIRED TO BE 4 INSULATED PROPER SIZE WIRES TERMINATED IN MAIN OF TRAILER PANEL.

IF WELL IS NEEDED IT MUST BE WIRED FOR INSPECTION SAME TIME TRAILER ELECTRICAL IS CALLED FOR.

IF A/C IS PERMITTED IT MUST BE FINALED WITH TRAILER FINAL.

WIRE SIZED BY TRAILER PANEL SIZE.

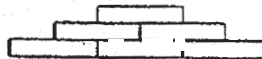
AMP	CU	AL	WIRE TYPE
100	- 4	- 2	- RH-RHH-RHW
125	- 2	- 1/0	- THW-THWN-THHN
150	- 1	- 2/0	- XHHW
200	- 2/0	- 4/0	-

CONTINUOUS #4 SOLID COPPER WIRE ATTACHED TO TWO (2) 8' GROUND. RODS AND CLAMPS MINIMUM 6' APART.

SCHEDULE 80 PVC OR RIDGID METAL CONDUIT TO GRADE LEVEL

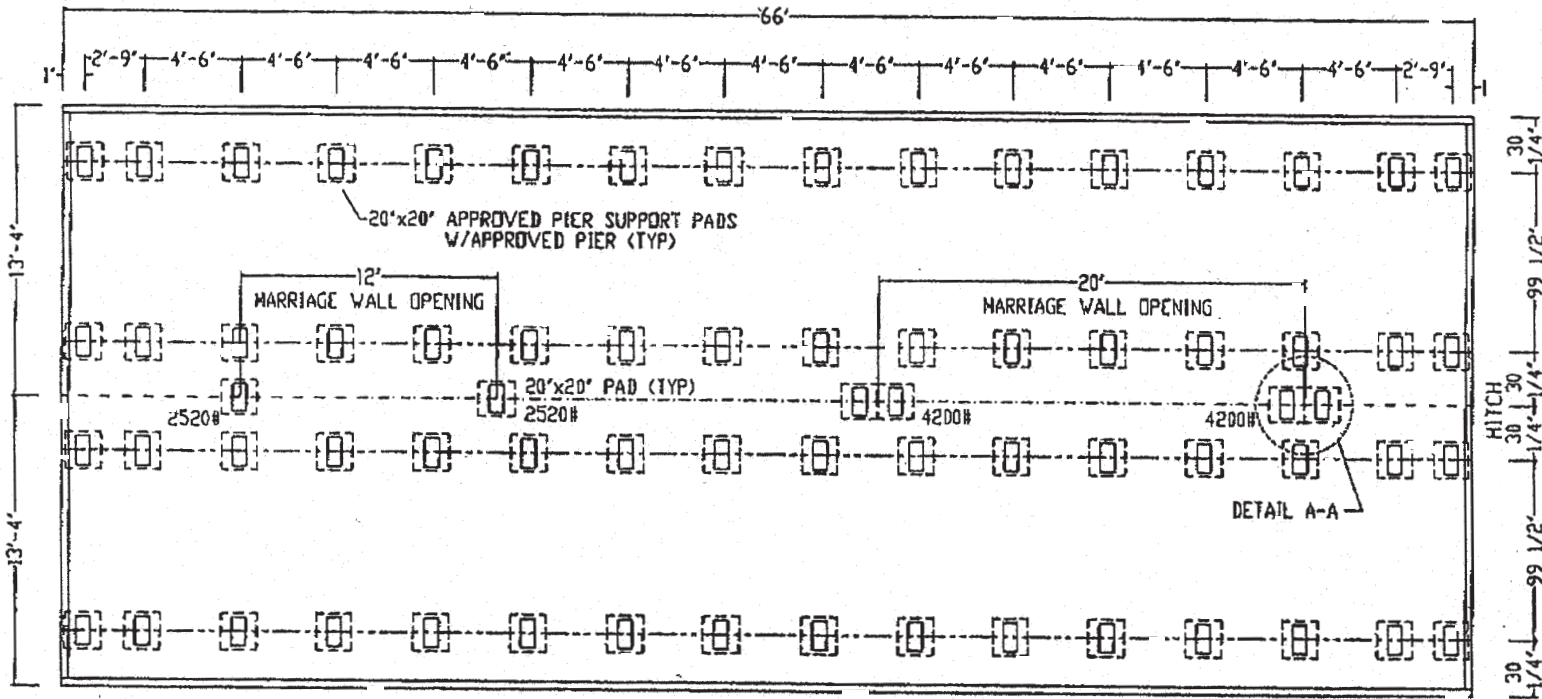
# SAMPLE

6 - 16'x16' CONCRETE PADS



NOTE: ABS PADS CANNOT BE SEGMENTED (STACKED)

DETAIL A-A



1000 P.S.F SOIL BEARING CAPACITY

I-BEAM PIER SUPPORTS : 2775 LBS/PER PIER (TYP)

WEIGHT ON MAIN RAILS EQUAL 590 LBS./PER LINEAR FOOT

\*ALL ANCHORS AND TIE DOWNS MUST COMPLY WITH SEC.15-C-1.0104 FLORIDA ADMINISTRATIVE CODE\*

(NEW)

HOME LENGTH

66x28

DESCRIPTION

TYPICAL PIER LAYOUT

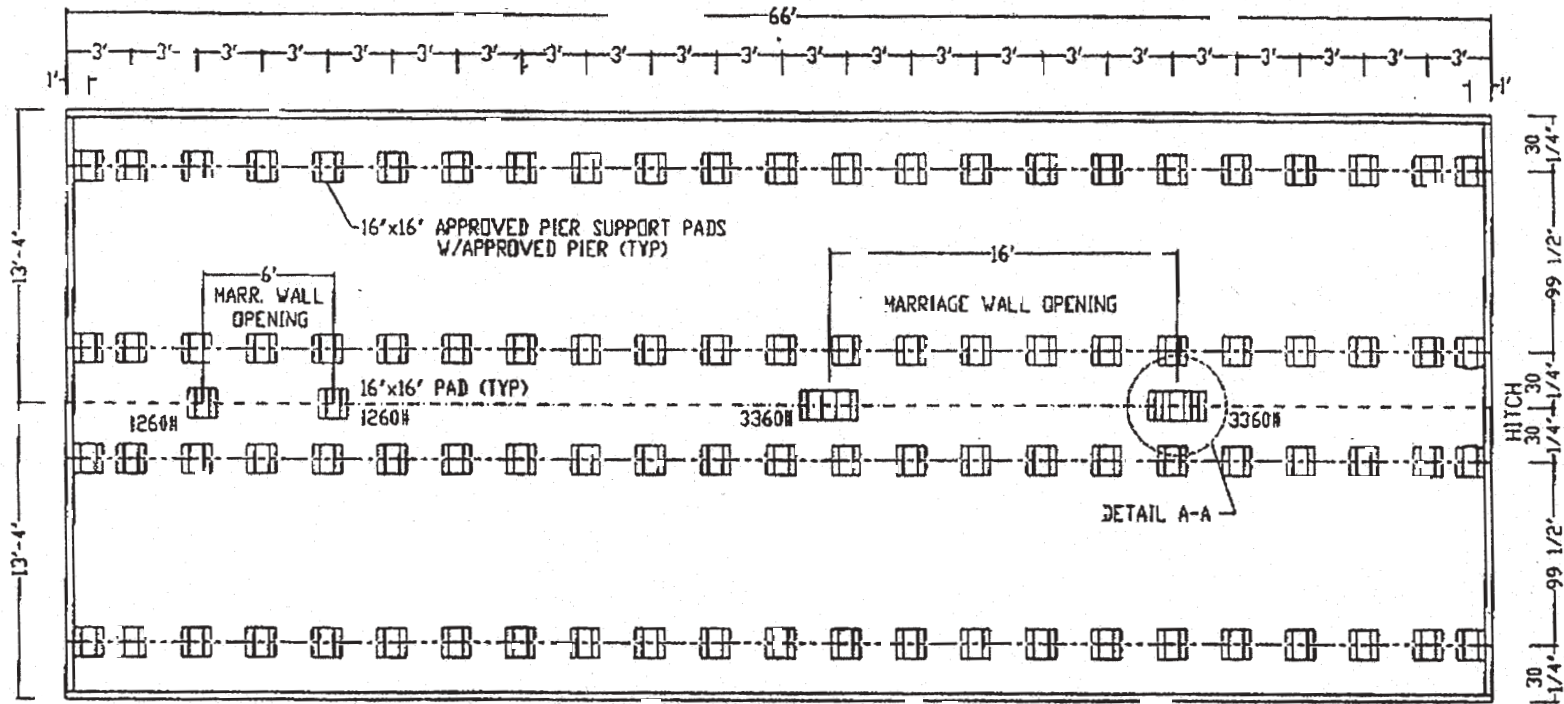
FLORIDA MINIMUM

# SAMPLE

16'x16' CONCRETE PADS



NOTE: ABS PADS CANNOT BE SEGMENTED (STACKED)



1000 P.S.F SOIL BEARING CAPACITY

1] I-BEAM PIER SUPPORTS 1700 LBS./PER PIER (TYP.)

WEIGHT ON MAIN RAILS EQUAL 590 LBS./PER LINEAR FOOT

\*ALL ANCHORS AND TIE DOWNS MUST COMPLY WITH SEC.15-C-1.0104 FLORIDA ADMISTRATIVE CODE\*

HOME LENGTH

66x28

DESCRIPTION

TYPICAL PIER LAYOUT

FLORIDA MINIMUM

(USED)

15C-1.0104 Installation Standards for Anchors and Tie-downs.

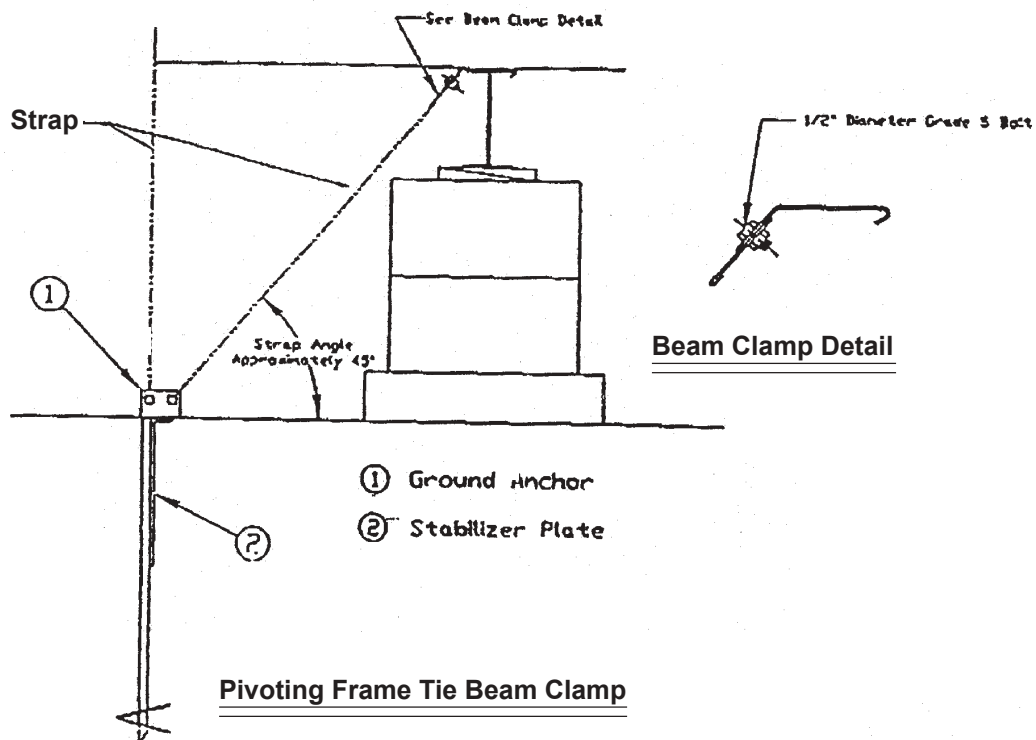
These specifications are standards set by the Department of Highway Safety and Motor Vehicles for new and used mobile/manufactured homes or park trailers.

(1) Anchors:

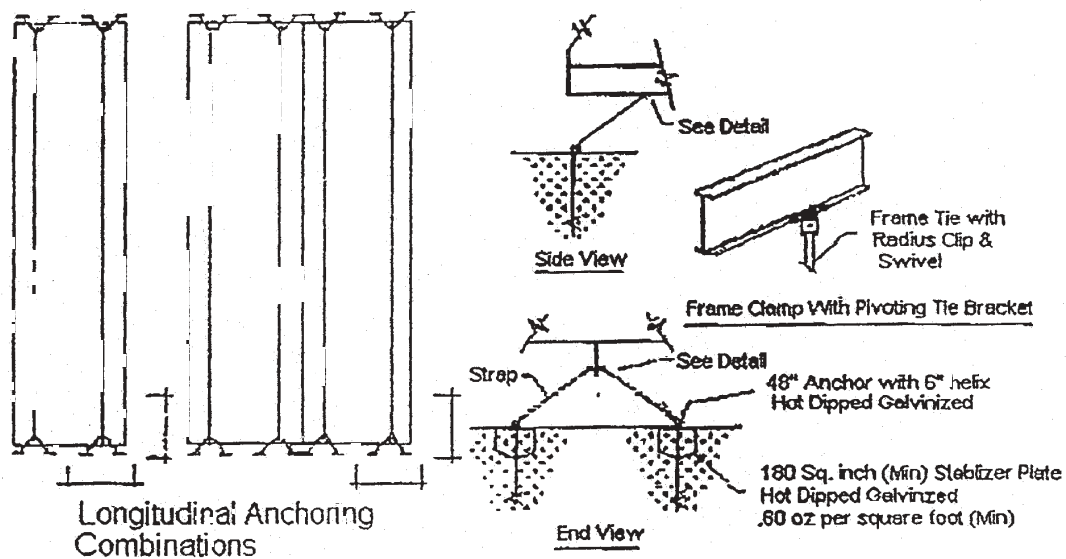
- (a) Type I anchor holding power for homes manufactured before July 13, 1994, shall be tested to a working load of three thousand one hundred fifty (3,150) pounds, with an ultimate load of four thousand seven hundred twenty-five (4,725) pounds.
- (b) Type II anchor holding power for homes manufactured after July 13, 1994, shall be tested to a working load of four thousand (4,000) pounds, with an ultimate load of six thousand (6,000) pounds.

(2) Frame Ties:

- (a) All frame ties for new and used mobile/manufactured homes must have a factory fabricated strap connected at the top of the I-beam to an I-beam clamp approved by the department. Diagonal tie-downs for new and used mobile/manufactured homes, in all wind zones, shall be spaced no farther apart than five feet four inches (5'4") on center with anchors placed within two feet (2') of each end. Note: Where sidewall strap separation is greater, they must be tied individually. Each frame tie shall be installed to the component manufacturer's instructions. (Refer to below drawing)



- (3) (a) Longitudinal Tie-downs. All new and used mobile/manufactured homes, installed sixty (60) days after the effective date of this rule, must have longitudinal tie-downs or other approved longitudinal stabilizing systems designed to resist horizontal wind loads in the long direction of the home (i.e. wind load applied to each end of the home). The longitudinal tie-downs are in addition to the anchoring systems required along the exterior sidewalls and/or marriage walls of the mobile/manufactured home.
- (b) When anchors and straps are used for stabilizing the home in the longitudinal direction the strap must connect to a clip welded onto the I-beam or other device connected mechanically. Unless factory installed, the department must approve the connection device. At least four (4) anchors and straps are required (i.e., 16 per double-wide home) at the end of each section of the mobile/manufactured home.



(4) Marriage Wall/Centerline Ridge Beam Column Ties, Shear Wall Ties and Frames Ties:

- (a) Centerline ties are required for all new and used multiple section homes.
- (b) Multiple-section homes are to be secured at the centerline with straps to the specifications in the manufacturer's manual or at the locations designated on the home. In addition to centerline ties specified by the manufacturer, a centerline tie must be attached within two feet (2') of each end of each section of the mobile/manufactured home. Where necessary, an approved bracket shall be added by the installer.

(5) Roof Ties:

- (a) Homes manufactured after June 15, 1976, without over-the-roof ties, but designated "Hurricane Resistant" per for Federal Manufactured Home Construction and Safety Standards, section 3280.305(c)(2), as hereby incorporated by reference, shall not require roof ties. All manufactured homes manufactured after July 13, 1994, shall require vertical and frame tie points.



- (b) Homes manufactured before July 13, 1994, where factory installed roof ties are not evident and it cannot be determined that the mobile/manufactured home is “Hurricane Resistant” without such ties, then the number of roof ties, as required by the table below, shall be installed so as to not contact with the structure, except at adequately reinforced areas, where additional load will not damage the structure.
    - 1. Single-wide homes less than or equal to sixty feet (60’)—three (3) roof ties.
    - 2. Single-wide homes greater than or equal to sixty-one feet (61’)—four (4) roof ties.
    - 3. Double-wide homes—roof ties required only if installed by the manufacturer.
  - (c) All new park trailers manufactured after January 2, 1995, shall have at least three (3) factory installed vertical tie points in addition to the required frame ties.
  - (d) End roof ties or vertical ties shall be installed at not more than twenty-four inches (24”) from the end of the structure or at the first stud and truss and attached to the same anchor as the frame tie. If the frame does not extend to the back end wall, then the roof tie shall be within six inches (6”) of the end of the chassis.
  - (e) Intermediate roof ties or vertical ties shall then be located at midway or equally spaced between the end roof ties, as feasible.
  - (f) Double-wide homes manufactured before July 13, 1994, may not require roof ties, unless such ties are installed or provided by the manufacturer. However, additions or canopies may require such ties depending on the type of construction. All are subject to the same frame tie requirements as single-wide homes.
  - (g) Over-the-roof tie-down straps or tie points shall be connected to a ground anchor. If a strap has been damaged, cut off or removed, a replacement strap shall be installed or spliced using two (2) listed strap seals affixed to twelve inch (12”) overlap of strap with two (2) crimps evenly spaced on the seal.
  - (h) Used homes designed and requiring over-the-roof tie-downs and having a permanent type structure adequate to provide structural rigidity and stability, meeting the design loads as required by the Standard Building Code, as hereby incorporated by reference, shall not be required to have over-the-roof ties in the area of the addition, but shall require one at each end.
- (6) Center Line Fastening: multiple section homes shall be mechanically fastened every twenty-four inches (24”) at the bottom, end walls and roof. A minimum thirty (30) gauge, eight inches (8”) wide, galvanized strip shall be centered over the peak and fastened with galvanized roofing nails at two inches (2”) on center at both sides of center line.

Specific Authority 320.011,320.824(1),320.8325(2) FS.Law implemented 320.77(10),822(12)320.8285,320.8325,320.835(2)FS history-new 1-10-94, amended 10/2/95

- (h) The minimum distance between the finished grade under all new and used mobile/ manufactured homes and the bottom of the I-beam shall be eighteen inches (18"). Where the grade is sloped, twenty-five (25%) of the lowest member of the main frame may be set below eighteen inches (18"); however, under no circumstances may the bottom of the I-beam be set below twelve inches (12") from the finished grade.

(2) Foundations:

- (a) Concrete pads or foundations shall be a minimum of two thousand five hundred (2,500) pounds per square inch (psi).  
 (b) Plastic pads or foundations shall be tested in the lower fifty percent (50%) of each soil class.

**TABLE A Pier Spacing Table**

Load Bearing Capacity \ Footer Size	16" x 16"	18-1/2" x 18-1/2"	20" x 20"	26" x 26"
1000 psf	3'	4'	5'	8'
1500 psf	4' 6"	6'	7'	
2000 psf	6'			
2500 psf	7' 6"			
3000 psf				
3500 psf				

Shaded areas are at the maximum eight feet spacing

**Figure A**

